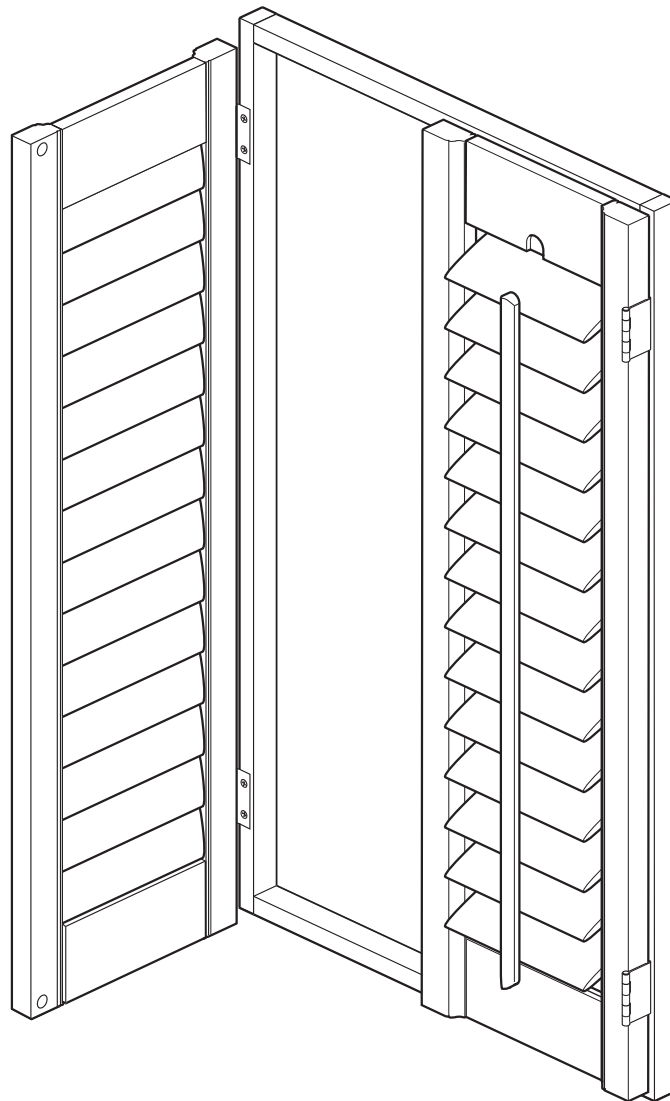


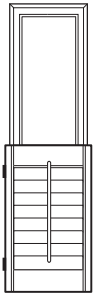


MEASURING INSTRUCTIONS

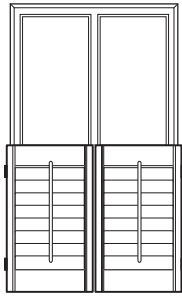


The New England Shutter Company 16 Jaggard Way London SW12 8SG
Tel. 020 8675 1099
email: enquires@tnesc.co.uk
www.tnesc.co.uk

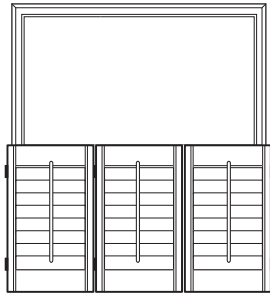
CHOOSE YOUR STYLE



Tick box

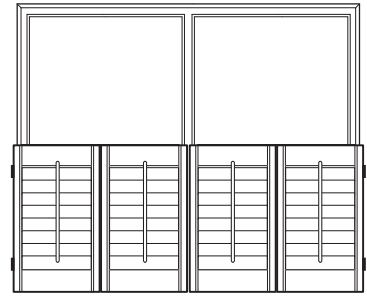


Tick box

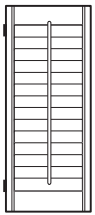


Tick box

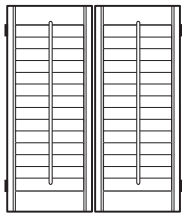
Café style



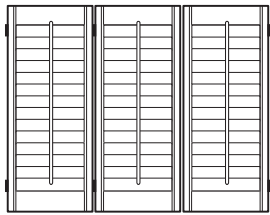
Tick box



Tick box

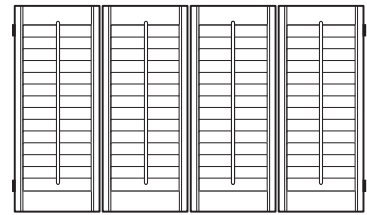


Tick box



Tick box

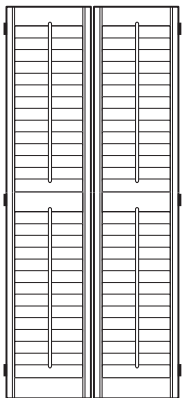
Full height



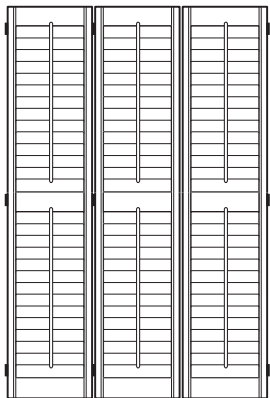
Tick box



Tick box

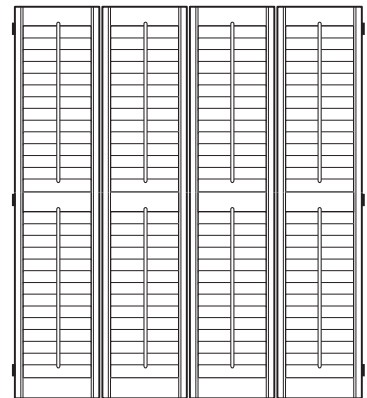


Tick box

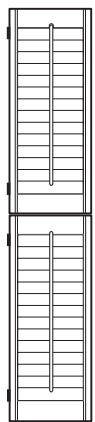


Tick box

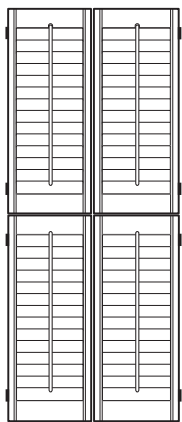
Full height with mid rail



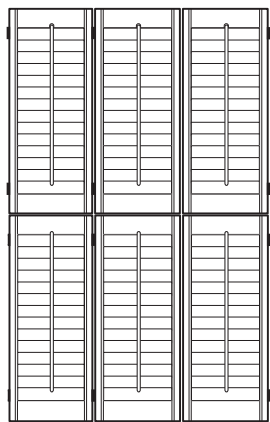
Tick box



Tick box

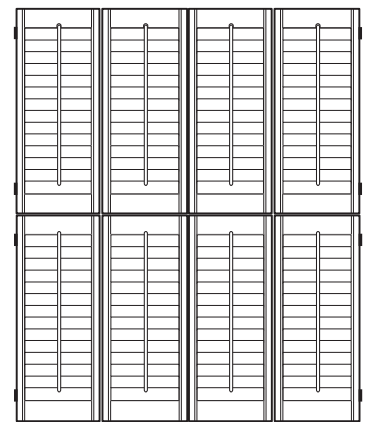


Tick box

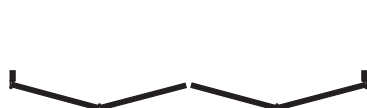
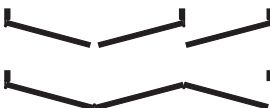
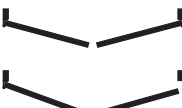


Tick box

Tier on Tier

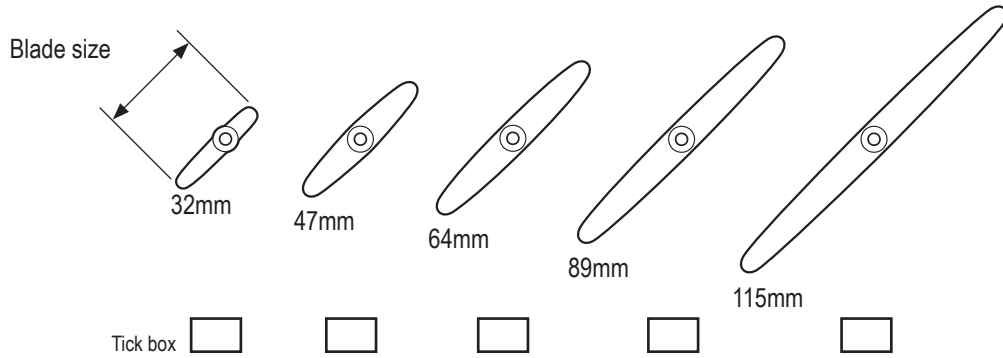


Tick box



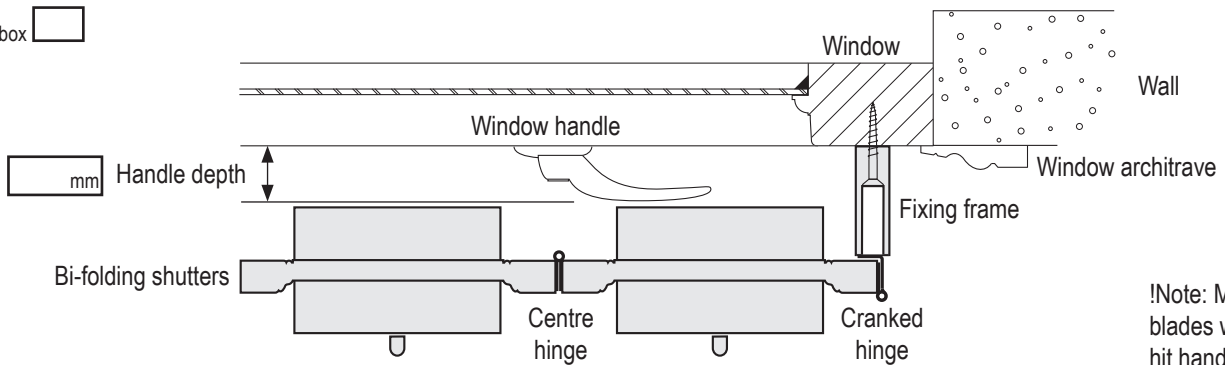
The configuration of hanging can vary as illustrated

CHOOSE YOUR BLADE SIZE



CHOOSE YOUR FRAME FIXING 1,2 OR 3

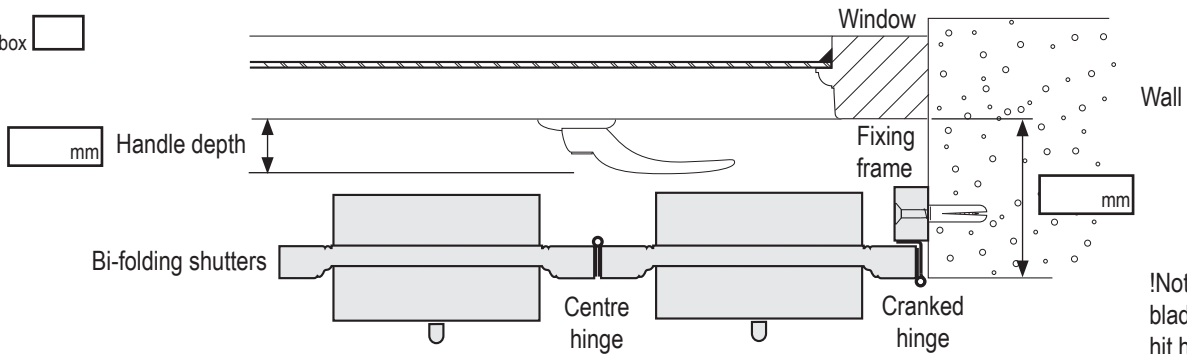
1 Tick box



!Note: Make sure blades will not hit handles when open

1. Frame fixed to window

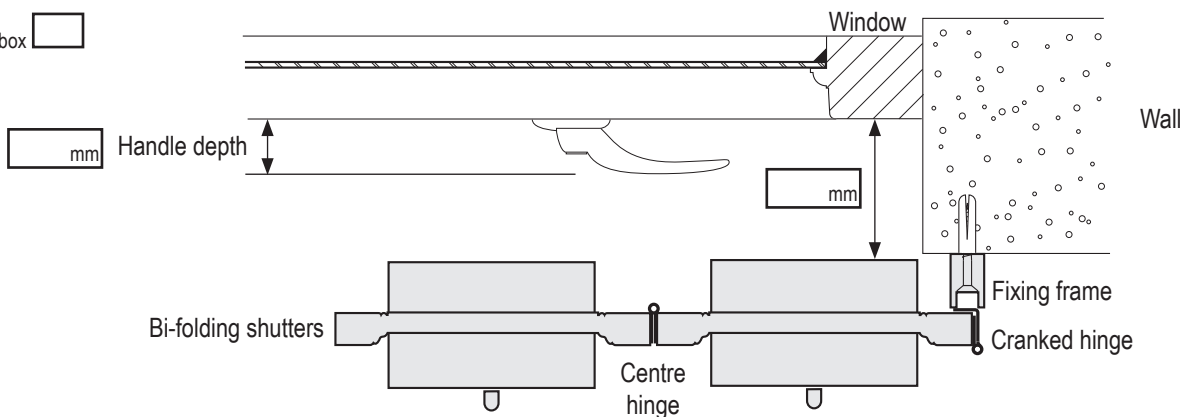
2 Tick box



!Note: Make sure blades will not hit handles when open

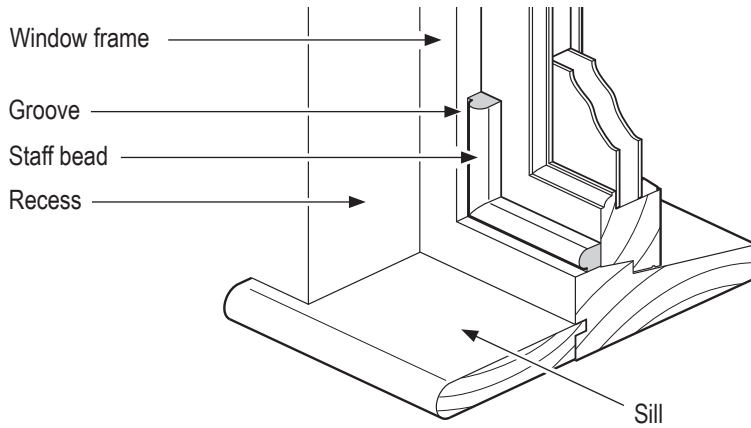
2. Frame fixed to inside of recess

3 Tick box



3. Frame fixed to outside of recess

MEASURING YOUR WINDOW

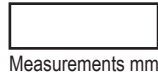


For shutter frames against the window frame measure from the groove between staff bead and window frame.

Please let us know these measurements. We will then work out the shutter sizes you require along with the frame. Please also let us know the paint colour or wood type, and hinge finish you would like.

Option 1

Measure from groove between each staff bead and window frame



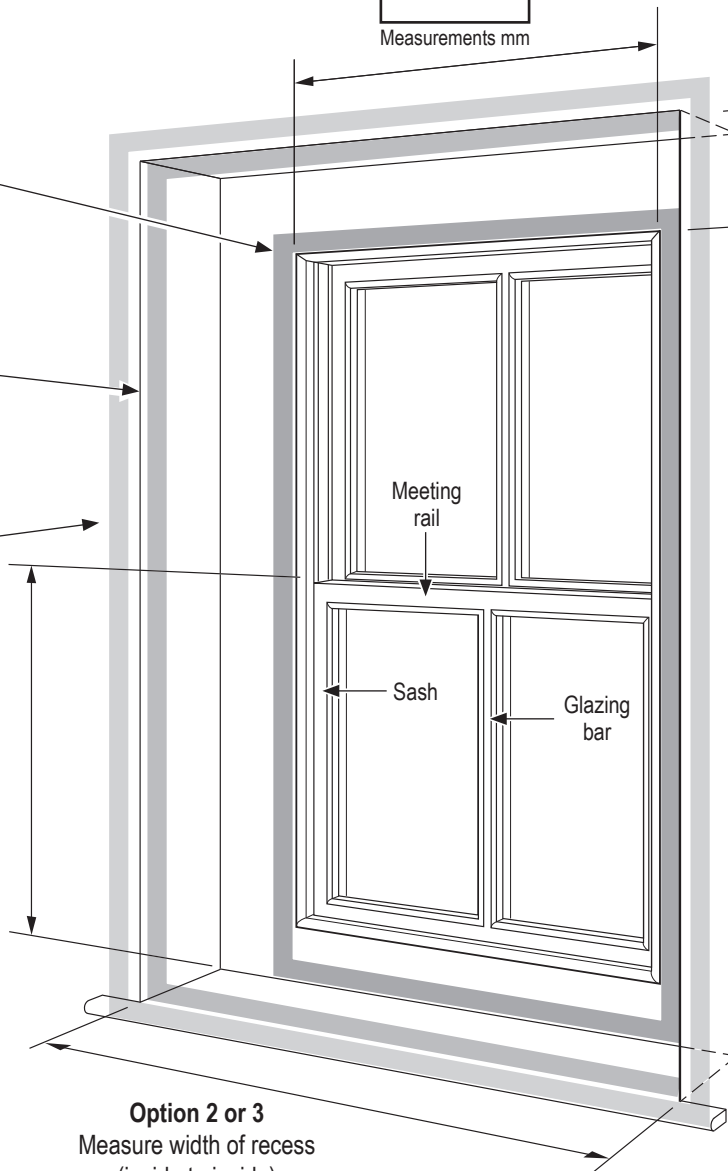
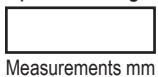
!Note: Check to see if handles or locks protrude forward of the staff bead and note by how much

Option 1. Frame fixed to window.
Frame can sit against the window. This leaves the sill free to be used

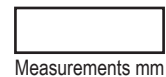
Option 2. Frame fixed to inside of recess.
Shutters can fold back onto walls

Option 3. Frame fixed to outside of recess.
Shutters can fold back onto walls

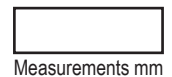
Option 1, 2, & 3 if relevant
Measure from top of sill to top of Meeting Rail



Option 1
Measure from top of sill to groove of staff bead.



Option 2 or 3
For a recess window measure from top of sill to underside of recess



Option 2 or 3
Measure width of recess (inside to inside)

